

# 7" Embedded Touch PC v40

FT07V40CAPOB



- Allwinner® V40 Cortex™ A7 QuadCore Processor
  - 2GB RAM Memory & 8GB FLASH Storage <sup>(v2)</sup>
  - Pre-installed Android 6 operating system
  - Anti-glare surface treatment (chemical etching)
  - 10-Finger-Multi Touch Capacitive Touch Panel
  - 1.1mm cover glass with 7H surface hardness
  - Optically bonded Touch Panel to LCD Panel
  - Patented IP65 front with silicon seal
  - Integrated W-LAN module
  - 2 year guarantee (24/7 operation)
- *Optional: integrated GPS, Bluetooth, 3G/4G, POE module*



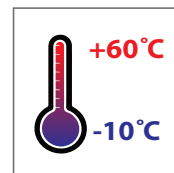
faytech's Embedded Touch PCs have a pre-installed Android 6 operating system and are equipped with W-LAN module. The device has an IP65 water- and dust proof front panel with capacitive 10-finger multitouch. All the PCs have VESA 75 or VESA 100 screw patterns on the back, while the 13.3" to 27" come with their own desktop stand included.

The Embedded PCs are build for 24/7 operation and powered by the powerful V40 QuadCore mainboard, with 2G DDR3 RAM, 8GB flash memory, a SATA connector and SD card slot for further storage expansion.

This device has an optically bonded touch panel, which will improve the stability, reduce the reflection, increase the viewing angle, and enhance the perceived brightness. It also provides resistance to dust particles and shows a better image in general.

It is the perfect choice for a wide variety of applications, including industrial automation, control panels and digital signage.

| Legend / Notes             |                 |
|----------------------------|-----------------|
| Applicable to version 1    | <sup>(v1)</sup> |
| Applicable to version 2    | <sup>(v2)</sup> |
| Applicable to all Versions | None            |



|                                  |                       |                        |         |                                     |                       |                        |         |
|----------------------------------|-----------------------|------------------------|---------|-------------------------------------|-----------------------|------------------------|---------|
| <b>Product name</b>              |                       |                        |         | <b>7" Embedded Touch PC v40</b>     |                       |                        |         |
| <b>Model number / EAN number</b> |                       |                        |         | <b>FT07V40CAPOB / 6920734007905</b> |                       |                        |         |
| Global Article Code              | European Article Code | Release date (DD/MM/Y) | Version | Global Article Code                 | European Article Code | Release date (DD/MM/Y) | Version |
| 3030505183                       | 1010501969            | 01/07/2020             | v1      |                                     |                       |                        |         |
| 3030506690                       | 1010502110            | 18/01/2021             | v2      |                                     |                       |                        |         |

|                        |  |
|------------------------|--|
| <b>IP Rating</b>       |  |
| IP65 Front / IP40 Back |  |

|   |              |
|---|--------------|
| <b>LCD Panel</b>                            |              |
| Screen diagonal (Inch/cm)                   | 7/17.78      |
| Display active screen size (cm)             | 15.42x8.59   |
| Aspect ratio                                | 16:9         |
| Physical resolution                         | 1024x600     |
| External Maximum showable resolution - HDMI | 1920x1080    |
| Colours displayed                           | 262K         |
| Brightness (cd/m <sup>2</sup> )             | 500          |
| Contrast                                    | 700:1        |
| Typical reaction time Tr/ Tf (ms)           | 10/15        |
| Visual Angle horizontal/vertical (°)        | 150/145      |
| Backlight / Backlight Lifetime (hours)      | LED / 20,000 |

|   |                                 |
|---|---------------------------------|
| <b>Operation / Mechanical</b>               |                                 |
| Operating Temperature (°C)                  | -10 ~ +60                       |
| Humidity Range (RH)                         | 10% - 90%                       |
| Net weight (kg)                             | 1.00                            |
| Gross weight (kg)                           | 1.90 (incl. cartonage)          |
| Housing material                            | Rubber Frame, Plastic Back Case |
| Housing (mm) L x W x H                      | 195.6 x 137.6 x 38.4            |
| Cut-out for clamp supports (mm) L x H       | N/A                             |
| Max. wall thickness for clamp supports (mm) | N/A                             |
| Amount of clamps required                   | N/A                             |
| Mounting                                    | VESA 75                         |

|                                  |
|----------------------------------|
| <b>Included in the Delivery</b>  |
| Power Supply (see Power section) |
| W-LAN Antenna (RP-SMA female)    |
| Short Installation Manual        |

|                        |
|------------------------|
| <b>Expansion slots</b> |
| MiniPCle               |

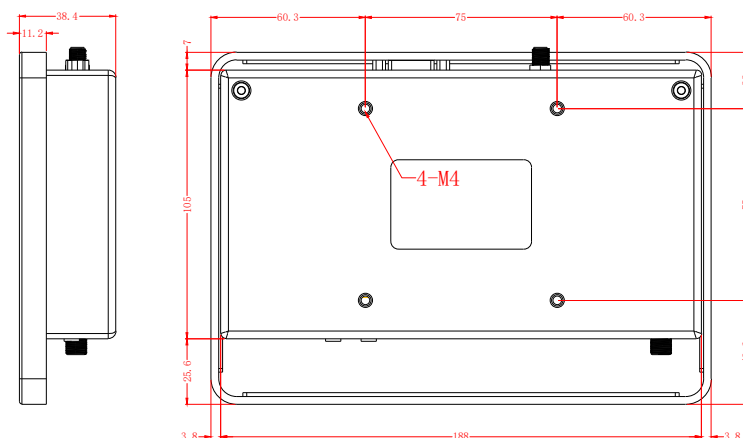
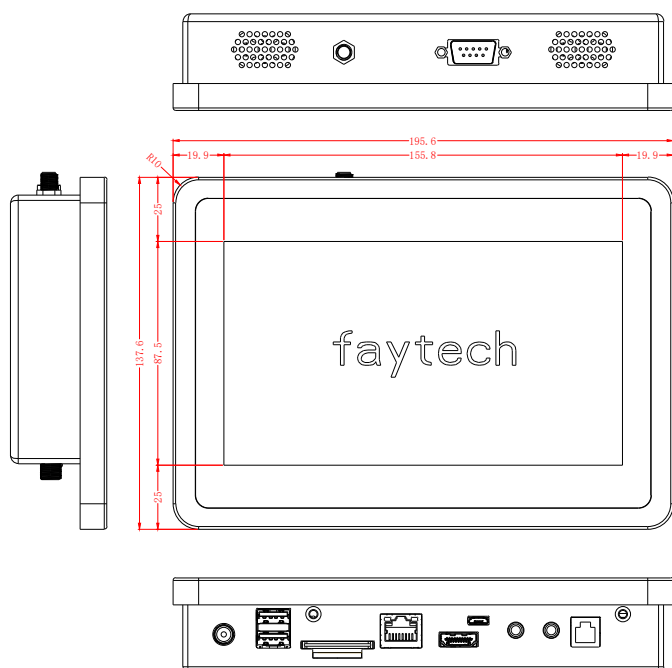
|                  |  |
|------------------|--|
| <b>PC System</b> |  |
| CPU              | Allwinner® V40 QuadCore  |
| Chipset          | Cortex A7  |
| Graphic GPU      | ARM® Mali400 Mp2 Complies with OpenGL ES 2.0/1.1                   |
| Audio            | Integrated HI-FI 100dB Audio Codec Dual analog mic, 2x6W amplifier |
| Memory           | 2GB DDR3 <sup>(v2)</sup>   |
| Storage          | 8GB EMMC Flash   |
| Network          | 10/100Mbit Network; W-LAN  |
| OS               | Android 6  |

|                       |  |
|-----------------------|--|
| <b>Touch Panel</b>    |  |
| Touch Technology      | Projected Capacitive 10-Point Multitouch |
| Touch Connector       | USB                                      |
| Touch Life (Contacts) | Unlimited                                |
| Surface Hardness      | 7H                                       |
| Surface Treatment     | Anti-glare (chemical etching)            |
| Glass Strengthening   | Chemically Strengthened                  |

|                          |  |
|--------------------------|--|
| <b>Power</b>             |  |
| Power Indicator          | Green LED                                  |
| Power Supply             | 100-240V ACDC active switching; 12V DC-Out |
| Working Power (V)        | 8-18                                       |
| Power Consumption (W)    | 8  |
| Stand-By Consumption (W) | <1   |

|                                   |               |
|-----------------------------------|---------------|
| <b>Internal Connectors</b>        |               |
| 1x SD-card                        | 1x SIM-card   |
| 2x Serial                         | 4x TTL UART   |
| 2x USB 2.0                        | 18/24Bit LVDS |
| 6x GPIO                           | 1x SATA-Port  |
| 1x Line-In                        | 1x Line-Out   |
| 1x RTC                            | 1x CAN Bus    |
| 1x Amplifier for 2x6W loudspeaker |               |

|  |                 |
|--|-----------------|
| <b>External Connectors</b>               |                 |
| 1x 8-18V DC-In (screwable)               |                 |
| 1x 10/100Mbit RJ45 Port                  |                 |
| 1x W-LAN antenna connector (RP-SMA male) |                 |
| 1x RJ10 (4P4C)                           |                 |
| 2x USB 2.0                               | 1x USB OTG      |
| 1x Audio-In                              | 1x Audio-Out    |
| 1x HDMI                                  | 1x Serial       |
| 1x SIM-card slot                         | 1x SD-card slot |



Tolerance: ± 1mm

## Update Notes:

### Version:

**v1**

-

### Changes:

First version

**v2**

-

Updated the RAM Memory from 1GB to 2GB

### **Corporate Headquarters**

**faytech AG**

Bischhäuser Aue 10  
37213 Witzenhausen  
Germany

[support@faytech.com](mailto:support@faytech.com)  
[contact@faytech.com](mailto:contact@faytech.com)  
[www.faytech.com](http://www.faytech.com)

China: +86 755 8958 0612  
Germany: +49 5542 30374 10  
USA: +1 646 843 0877  
India: +91 11 49707436  
Japan: +81 366 722 920