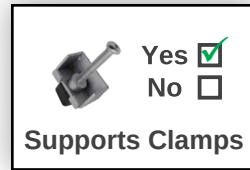


7" Open Frame Capacitive Touch Monitor

FT07TMCAPOFHBOB



- 1.1mm cover glass with 7H surface hardness
- Optically bonded Touch Panel to LCD Panel
- Anti-glare surface treatment (chemical etching)
- 10-Finger-Multi Touch Capacitive Touch Panel
- A+ quality LED backlight panels with 100k hours lifetime ^(v3)
- 1000+ cd/m² brightness
- Integrated audio speakers (2x2w)
- 2 year guarantee (24/7 operation)

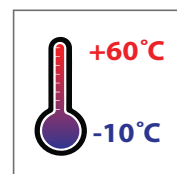
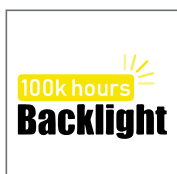


faytech's Open Frame Capacitive Touch Monitors are the perfect choice for industrial and business applications. The capacitive 10-finger multitouch panel brings an easy using experience for a wide range of applications. Each model in this series is built for reliable and extended service by using an A+ quality HD LCD panel with energy efficient LED technology. It is equipped with a wide range of standard connectors, such as HDMI, DP, VGA, USB-Touch, serial and DC-In.

This device has an optically bonded touch panel, which will improve the stability, reduce the reflection, increase the viewing angle, and enhance the perceived brightness. It also provides resistance to dust particles and shows a better image in general. This open frame version is a light weight model without any back case, which makes it perfect for integrating into your own system or mount at different locations.

It is the perfect interactive solution for digital signage, classrooms, meeting rooms, industrial automation, shopping malls, hotels and many other areas.

Legend / Notes	
Applicable to version 2	(v2)
Applicable to version 3	(v3)
Applicable to all Versions	None



Product name				7" Open Frame Capacitive Touch Monitor			
Article code / EAN number				FT07TMCAPOFHBOB / 6920734007158			
Global Article Code	European Article Code	Release date (DIMY)	Version*	Global Article Code	European Article Code	Release date (DIMY)	Version*
3030502712	1010501723	01/04/2020	v2				
3030510467	1010502417	02/05/2022	v3				

IP Rating	
IP65 Front / IP40 Back	

LCD Panel	
Screen diagonal (Inch/cm)	7/17.78
Display active screen size (cm)	15.42x8.59
Aspect ratio	16:9
Physical resolution	1024x600
Maximum showable resolution	1920x1200
Colours displayed	262K
Brightness (cd/m ²)	1000
Contrast	800:1
Typical reaction time Tr/ Tf (ms)	10/12
Visual Angle horizontal/vertical (°)	150/145
Backlight / Backlight Lifetime (hours)	LED / 100,000 (v3)

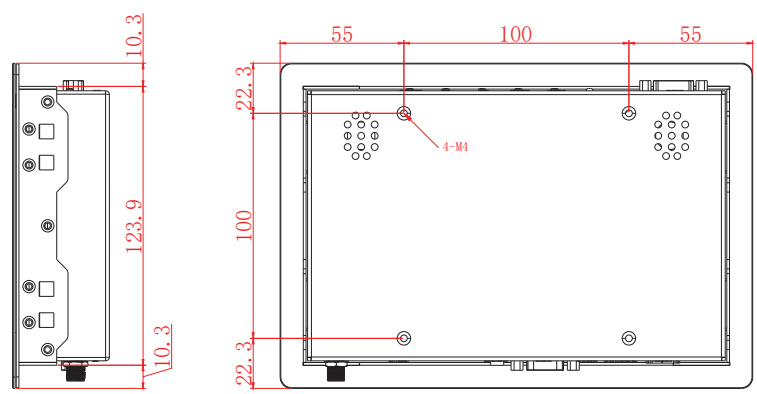
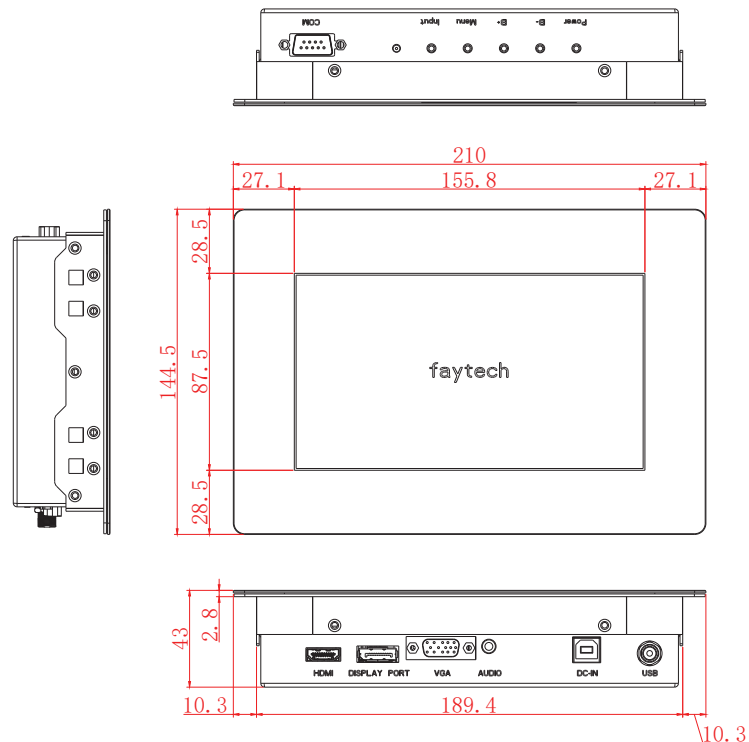
External Connectors	
Video	1x HDMI 1.3 (incl. HDCP)
	1x DP (v3)
	1x VGA
	1x DVI-D (v2)
Audio	1x PC-Audio
Touch Connector	1x USB
Connectors	1x 12V DC-In (screwable)

Touch Panel	
Touch Technology	Projected Capacitive 10-point Multitouch
Touch Panel Drivers	Windows; Linux; Mac; Android
Touch Life (Contacts)	Unlimited
Surface Hardness	7H
Surface Treatment	Anti-glare (chemical etching)
Glass Strengthening	Chemically Strengthened

Operation / Mechanical	
Operating Temperature (°C)	-10 ~ +60
Humidity Range (RH)	10% - 90%
Net weight (kg)	0.50
Gross weight (kg)	1.10 (incl. cartonage)
Housing material	Aluminum
Housing (mm) L x W x H	210.0 x 144.5 x 43.0
Cut-out for clamp supports (mm) L x H	195.0 x 133.0
Max. wall thickness for clamp supports (mm)	5.0
Amount of clamps required	4
(optional) Tape length required (mm)	830.0 (2x 220.0 + 2x 195.0)
(optional) Amount of glue required (ml)	4.15
Mounting	VESA 100

Power	
Power Supply	100-240V ACDC active switching; 12V DC-Out
Working Power (V)	12
Power Consumption (W)	10
Stand-By Consumption (W)	<1

Included in the Delivery	
Power Supply (see Power section)	
Short Installation Manual	
HDMI Cable	
USB Cable	



Tolerance: ±0.5mm

Update Notes:

* Only the latest version can be ordered, previous versions are only for historic reference.

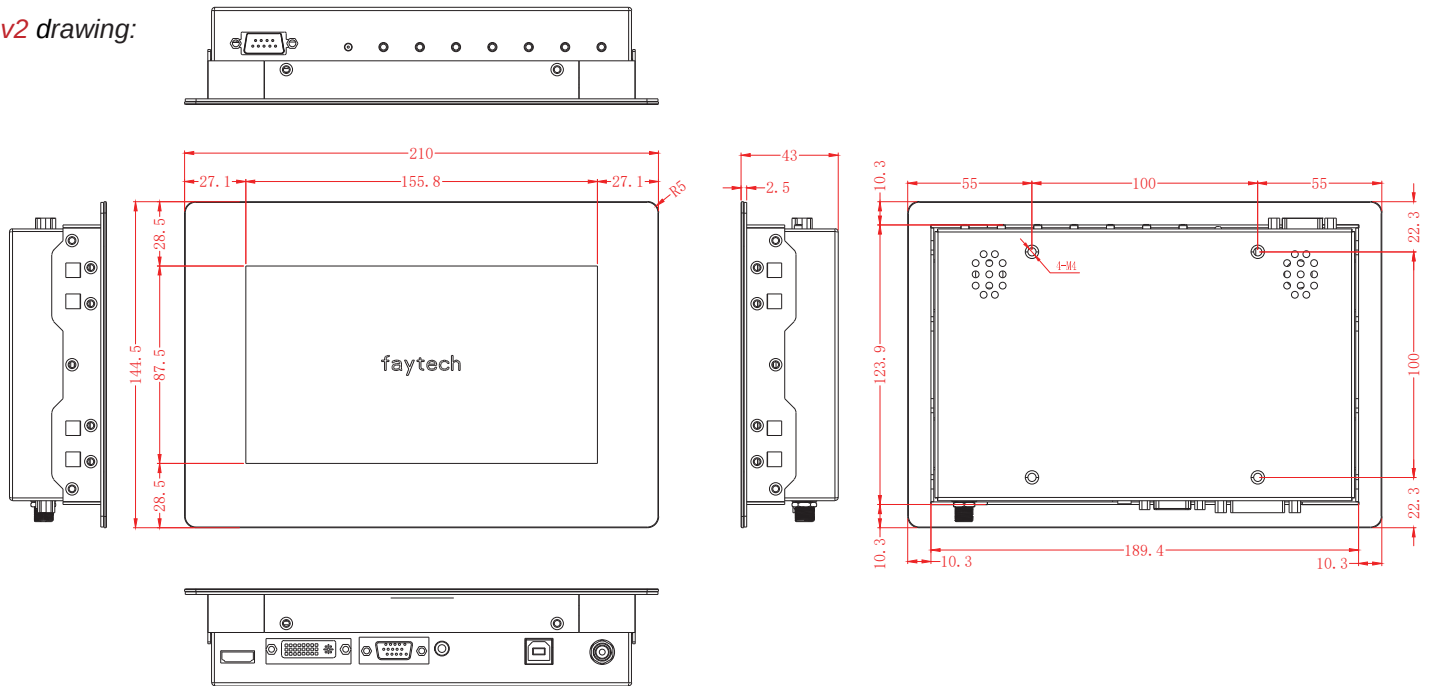
Version:

Changes:

v3 - Switching of the DVI-D connector to a DP connector
Updated the backlight from 20,000 hours to 100,000 hours LED
(v3 drawing on previous page)

v2 - First version

v2 drawing:



Corporate Headquarters

faytech AG

Bischhäuser Aue 10
37213 Witzenhausen
Germany

support@faytech.com
contact@faytech.com
www.faytech.com

Germany: +49 5542 30374 0

China: +86 755 89580612

USA: +1 646 843 0877

India: +91 11 49707436

Japan: +81 366 722 920

Korea: +82 10 3479 1815