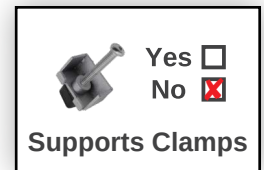


# 19" Resistive Touch PC N3350

FT19N3350



- Intel® Celeron® N3350 DualCore CPU
- 4GB RAM memory, 128GB Industrial SSD
- Supports Windows 10 & Linux (32Bit, 64Bit)
- Anti-glare front with 3H surface hardness
- 5-Wire Resistive touch technology
- High-quality black aluminum housing
- Standard and 3-Pin power connector (screwable)
- Integrated W-LAN
- 2 year guarantee (24/7 usage)

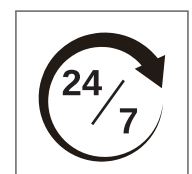
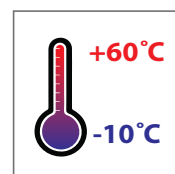


faytech's Resistive Touch PC series stands out among competition with its fanless silent operation and robust aluminum housing with stable VESA 100 fixation bolts.

The touch PC is powered by faytech's industrial Apollo Lake mainboard. It is driven by the Intel® Celeron® N3350 DualCore processor with up to 2.40 GHz clock frequency. This version is equipped with 4GByte RAM, 128G SSD and Intel's HD Graphic chipset, supporting Full HD, DirectX 11.1 and OpenGL 4.0.

These faytech PCs are the perfect choice for a wide variety of applications including POS systems, control panels in industrial fields, in kiosk systems, office/residence automation, digital signage and in areas like shopping malls, classrooms, hotels and many more.

Legend / Notes	
Applicable to version 3	(v3)
Applicable to version 4	(v4)
Applicable to all Versions	None



<b>Product name</b>				<b>19" Resistive Touch PC N3350</b>			
<b>Model number / EAN number</b>				<b>FT19N3350 / 6920734001910</b>			
Global Article Code	European Article Code	Release date (D/M/Y)	Version	Global Article Code	European Article Code	Release date (D/M/Y)	Version
20205002618	1010501617	01/05/2020	v3				
3030509539	1010502298	01/02/2022	v4				

IP Rating	
IP40	

LCD Panel	
Screen diagonal (Inch/cm)	19/48.26
Display active screen size (cm)	41.22×25.91
Aspect ratio	16:10
Physical resolution	1440×900
External Maximum showable resolution - HDMI, DP	1920×1200
Colours displayed	16.7M
Brightness (cd/m <sup>2</sup> )	250
Contrast	1000:1
Typical reaction time Tr / Tf (ms)	1.5/3.5
Visual Angle horizontal / vertical (°)	170/160
Backlight / Backlight Lifetime (hours)	LED / 30,000

Operation / Mechanical	
Operating Temperature (°C)	-10 ~ +60
Humidity Range (RH)	10% - 90%
Net weight (kg)	4.75
Gross weight (kg)	7.10 (incl. cartonage)
Housing material	Aluminum
Housing (mm) L × W × H	468.0 × 314.0 × 62.9
Cut-out for clamp supports (mm) L × H	N/A
Max. wall thickness for clamp supports (mm)	N/A
Amount of clamps required	N/A
Mounting	VESA 100

Internal Connectors (occupied)	
1x SO-DIMM, max. 8GB, DDR3L 1333/1600/1867 non-ECC, Single channel memory	
3x RS232/RS485 COM connectors switchable in BIOS	
2x LCD Backlight control/LCD panel voltage box	
1x 5V/12V SATA power connector	1x 12V DC power connector (2-pin)
1x 4-pin SATA power connector	1x S/PDIF output pin header
1x 8-bit Digital I/O interface	1x Line-out / Mic-in header
1x Front Panel box header	1x Serial ATA 6Gb/s
1x MIPI CSI connector	1x LVDS box header
	2x USB 3.0 box header

PC System	
CPU	Intel® Celeron® DualCore N3350
Graphic GPU	Intel® HD Graphics
Audio	Realtek ALC3251 Audio CODEC <sup>(M4)</sup>
Memory	4GB DDR3L non-ECC (max. 8GB)
Storage (switchable)	Industrial 128GB SSD
Network	2x Realtek PCIe GB LAN 8111G (1x optional with POE); W-LAN
Driver Support	Win10; Linux; 32Bit/64Bit
Preinstalled OS	Linux Ubuntu

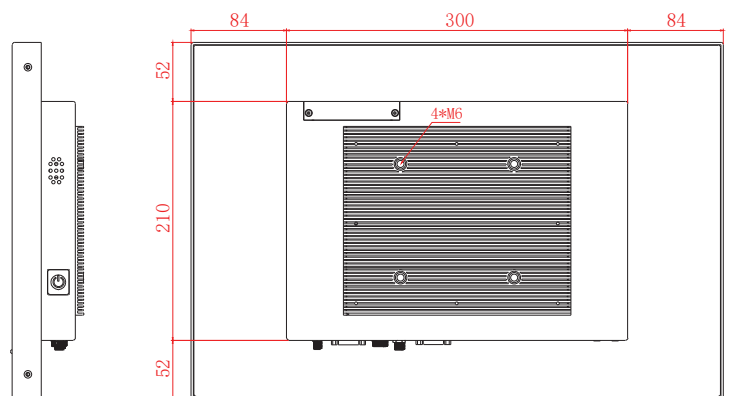
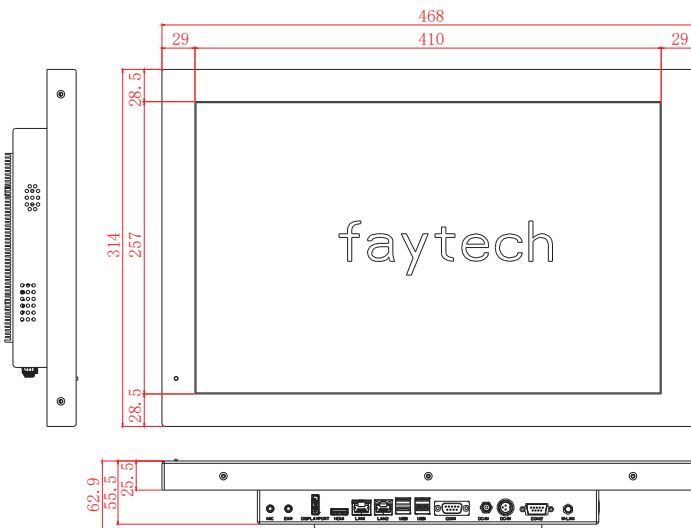
Touch Panel	
Touch Technology	5-Wire Resistive
Touch Connector	USB
Touch Life (Contacts)	10 million in 1 location without failure
Surface Hardness	3H
Surface Treatment	Anti-glare
Glass Strengthening	N/A

Power	
Power Indicator	Green LED
Power Supply	100-240V ACDC active switching; 12V DC-Out
Working Power (V)	12
Power Consumption (W)	21
Stand-By Consumption (W)	<1

External Connectors	
1x 12V DC-In (screwable)	
1x 12V 3-Pin DC-In (screwable)	
1x W-LAN antenna connector (RP-SMA male)	
2x USB 3.0	2x USB 2.0
1x HDMI	1x DP
1x MIC-In & EAR-Out	
1x COM – RS 232/422/485 switchable; 5V/12V/RI option (COM1, DSUB9)	
1x COM – RS 232; RX/TX (COM2, DSUB9)	
2x 10/100/1000Mbit RJ45 Ports	
1x 2.5" module slot, changeable SSD included	

Expansion Slots	
1x mSATA full size (occupied by SSD)	
1x M.2 E-Key Slot (occupied by Wifi card)	
1x SATA connector	
1x External PCIe x1 Straddle connector	

Included in the Delivery	
Power Supply (see Power section)	
W-LAN antenna (RP-SMA female)	
Short Installation Manual	



Tolerance: ± 0.8mm

## Update Notes:

\* Only the latest version can be ordered, previous versions are only for historic reference.

### Version:

### Changes:

- v4** - Update of the audio chip from ALC3236 to ALC3251
- v3** - First version  
(*v3 & v4 drawing on previous page*)

## Corporate Headquarters

### faytech AG

Bischhäuser Aue 10  
37213 Witzenhausen  
Germany

[support@faytech.com](mailto:support@faytech.com)  
[contact@faytech.com](mailto:contact@faytech.com)  
[www.faytech.com](http://www.faytech.com)

**Germany:** +49 5542 30374 0

**China:** +86 755 89580612

**USA:** +1 646 843 0877

**India:** +91 11 49707436

**Japan:** +81 366 722 920

**Korea:** +82 10 3479 1815